



# ACCESSORIES FOR HEAVY-DUTY MODULES

TOWED AND SELF-PROPELLED





### HEAVY-DUTY MODULES (TOWED + SELF-PROPELLED)

TOWING EQUIPMENT AND GOOSENECKS		04
GENERAL ACCESSORIES		08
LOADING EQUIPMENT		10
TURNTABLES		14
BLADE TRANSPORT DEVICE	FTV 550   FTV 850	16
TOWER ADAPTER	RA 2   RA 3   RA 4	18
HIGH GIRDER BRIDGE	»FAKTOR« 5   »FAKTOR« 5.5	20



### HEAVY-DUTY MODULES (SELF-PROPELLED)

GENERAL ACCESSORIES		22
POWERPACKS		23



**PLEASE NOTE:**

All specified technical configurations are component- combination-specific. This allows a high degree of flexibility in the use of accessories, although not every accessory piece can automatically be combined with every other accessory or every vehicle. If you have any questions regarding the compatibility of the accessories, please contact your Goldhofer sales partner.

# TOWING EQUIPMENT AND GOOSENECKS

Whether as a drawbar trailer combination or converted into a 5th wheel trailer combination: Our heavy-duty modules and comprehensive portfolio of accessories offer almost limitless flexibility.



## STEERING SWIVEL ARMS



» To move even the heaviest loads safely with THP/CA, THP/DR and THP/DC.



- + Total towing weight up to 1.102.000 lbs <sup>[500 t]</sup>
- + Length THP/CA 2' 3" [700 mm]
- + Length THP/DR 1' 8" [500 mm]
- + Length THP/DC 3' 5" [1.050 mm]



## DRAWBAR



» Our robust, easy-to-change drawbars allow pulled combinations according to individual requirements.



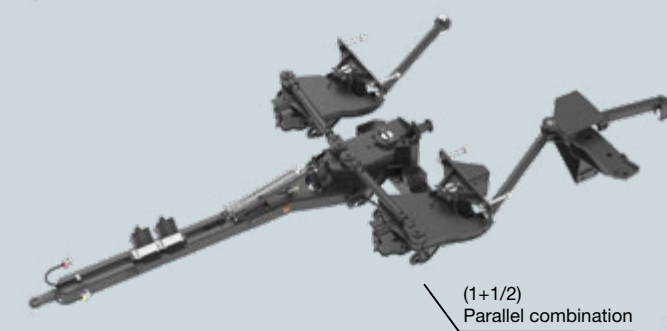
- + Total towing weight up to 1,102,000 lbs <sup>[500 t]</sup>  
*Optional* 2,205,000 lbs <sup>[1,000 t]</sup>
- + Length 6' 7"/9' 10"/16' 5"/23'/29' 6"  
[2,000 mm / 3,000 mm / 5,000 mm / 7,000 mm / 9,000 mm]
- + Drawbar eye diameter 2" <sup>[50 mm]</sup>



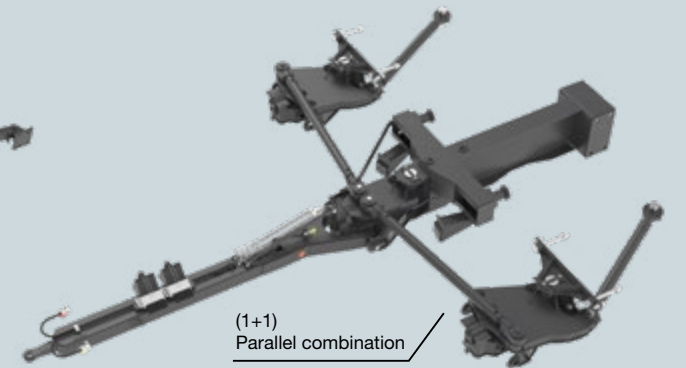
## STEERING SWIVEL ARMS



Single width



(1+1/2) Parallel combination



(1+1) Parallel combination



» In order to be able to move even the heaviest loads safely, our towed and self-propelled heavy-duty modules offer the possibility to adapt to any load in parallel combinations.




- + Total towing weight up to 1,102,000 lbs <sup>[500 t]</sup>  
*Optional* 2,205,000 lbs <sup>[1,000 t]</sup>
- + Length 2' 3" / 2' 7" / 3' 3"  
[700 mm / 800 mm / 990 mm]

# THP/DC | THP/DR | THP/CA GOOSENECKS




## UNIVERSAL GOOSENECK



» Combinable with our heavy-duty modules or directly with traversable loading decks, these hydraulically operated goosenecks are true all-rounders.


- + Fifth wheel load 57,300 lbs / 77,100 lbs  
99,200 lbs / 114,600 lbs  
[26 t / 35 t / 45 t / 52 t]
- + Length 12' 2" - 14' 1" [3,700 - 4,300 mm]
- + 5th wheel coupling heights 4' 3" - 4' 9" [1,300 - 1,450 mm]
- + Swing clearance radius 8' 2" - 11' 2" [2,500 - 3,400 mm]
- + Kingpin 2" / 3" [50.8 mm / 88.9 mm]
- + Hydraulic coupling pins
- + Combinable with heavy-duty module chassis or loading decks

## THP/DC | THP/DR



- + Fifth wheel load 77,100 lbs  
[35 t]
- + Length 18' [5,500 mm]
- + 5th wheel coupling heights 5' 1" - 5' 7" [1,550 - 1,700 mm]
- + Swing clearance radius 8' 2" / 8' 6" / 8' 10" / 9' 2" [2,500 mm / 2,600 mm / 2,700 mm / 2,800 mm]
- + Kingpin 2" / 3" [50.8 mm / 88.9 mm]
- + Hydraulic coupling pins

## THP/CA



- + Fifth wheel load 77,100 lbs  
[35 t]
- + Length 17' 5" [5,300 mm]
- + 5th wheel coupling heights 4' 3" - 6' [1,300 - 1,800 mm]
- + Swing clearance radius 8' 2" / 8' 6" / 8' 10" / 9' 2" [2,500 mm / 2,600 mm / 2,700 mm / 2,800 mm]
- + Kingpin 2" / 3" [50.8 mm / 88.9 mm]
- + Hydraulic coupling pins

# GENERAL ACCESSORIES FOR CUSTOMER'S REQUIREMENTS

We offer you almost limitless possibilities to adapt your heavy-duty module combination to the application and the respective country regulations.



## HYDRAULIC POWER PACKS

### KOHLER DIESEL HYDRAULIC POWER PACK

- + Output 17,9 kW/24,3 hp/4-stroke
- + Engine output appx. 21l/min
- + Pressure 340 bar
- + Compressor 32l/min
- + Exhaust emission standard EPA Tier 4f
- + Control panel

### KOHLER GASOLINE HYDRAULIC POWER PACK

- + Output 19 kW/25,8 hp/4-stroke
- + Engine output appx. 18l/min
- + Pressure 340 bar
- + Exhaust emission standard EPA Tier 4f
- + Control panel

### THP/DC DIESEL HYDRAULIC POWER PACK

- + Output 17,9 kW/24,3 hp/4-stroke
- + Engine output appx. 21l/min
- + Pressure 340 bar

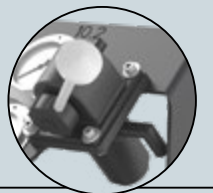
- + Hydraulic oil tank 600l
- + Exhaust emission standard EPA Tier 4f
- + Control panel

## GENERAL ACCESSORIES

### CONTROL PANELS



### TRAILER BRAKE VALVE



### PUSH COUPLING



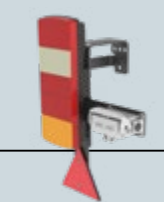
### CABLE/RADIO REMOTE CONTROLS AND »SMARTCONTROL«



### LOADING AREA MOUNTING PLATE FOR POWERPACKS



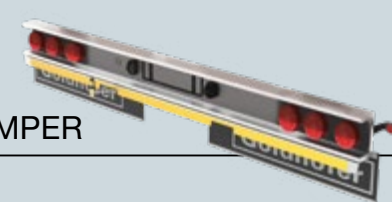
### EXPORT LIGHTS



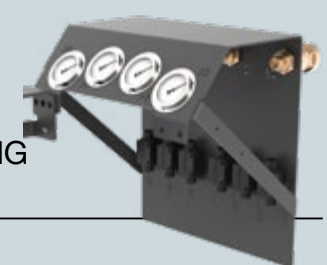
### PUSH ROD



### REAR LIGHTING BUMPER



### CONTROL PANEL FOR SELF-TRACKING DEVICE



# LOADING EQUIPMENT HEAVY-DUTY MODULES

Whether different deck variants, turntables, or telespacers for long material transports: We offer the ideal solution for every load and enable you to flexibly configure your heavy-duty module combination.



**DROP DECKS**

» Different construction lengths, heights, capacities, as well as an optional extensions, give you unbeatable flexibility when things have to get low.

- + Construction height: 8" / 10" / 1' / 1' 2" [200 mm / 250 mm / 300 mm / 350 mm]
- + Length: 23'-32' 10" [7,000-10,000 mm]
- + With/Without pin joint
- + Can be loaded from the front up to a construction height of 10" [250 mm]

- + Longitudinal extensions
- + Foldable outriggers
- + Integrated hydraulic jacks
- + Drive-on deck with climbing ramps
- + Claw coupling adapter for decks that can be loaded from the front



**VESSEL BRIDGES**

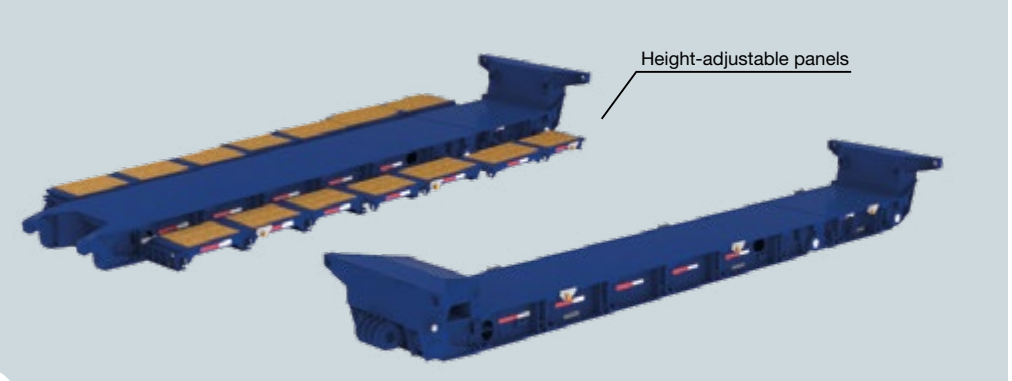
» Goldhofer vessel bridges can be configured and converted in several different ways for optimal transport conditions.

- + Construction height: 1' 6" / 1' 8" / 2' 1" [450 mm / 500 mm / 650 mm]
- + Width: 9' 10" - 19' 8" [3,000-6,000 mm]
- + Rigid or extendable longitudinal beams

- + Claw coupling adapter for decks that can be loaded from the front
- + Integrated hydraulic jacks
- + Drive-on deck with climbing ramps
- + Width hydraulic adjustable front/rear cross beam
- + Cross braces
- + deck insert with wooden floor, adjustable in height
- + Vessel supports
- + Narrow deck adapter front/rear
- + Same height
- + Narrow excavator deck adapter, front
- + Integrated hydraulic jacks optional
- + Excavator deck adapter, rear



EXCAVATOR DECKS



- » To get every last millimeter, our robust excavator decks are designed to take on even the heaviest loads.
- + Construction height 1' 2" / 1' 6" / 1' 8" / 2' 1"  
[350 mm / 450 mm / 500 mm / 650 mm]
- + Rigid or extendable
- + Outriggers
- + Integrated hydraulic jacks
- + Ramps



INTERMEDIATE SPACERS

- » The intermediate spacer extends the loading area or axle spacing without unnecessary axle load.
- + Length 9' 10" - 29' 6"  
[3,000 - 9,000 mm]
- + Available for the THP/SL family, THP/HL family, PST/SL and PST/SL-E



SPACER

- » Our extendable spacers are suitable for the safe transport of extremely long loads.
- + Length 26' 3" - 55' 9"  
[8,000 - 17,000 mm]  
*(extendable up to 131' [40,000 mm] depending on version)*
- + Available in 1-4 times extendable
- + With or without precamber

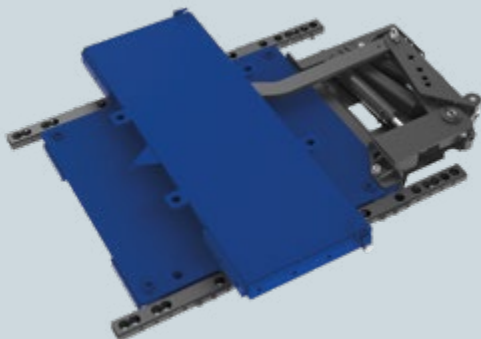
# TURNTABLES

## HEAVY-DUTY MODULES

Turntables are essential, especially when transporting long loads. While the height and weight distribution can be cleverly influenced by our vehicles, the length is usually based on the load and cannot be readjusted. This is where Goldhofer's easily mountable turntables provide a solution. From 220,000-1,323,000 lbs <sup>[100-600t]</sup>, they are flexible and improve the transport of long and self-supporting goods.



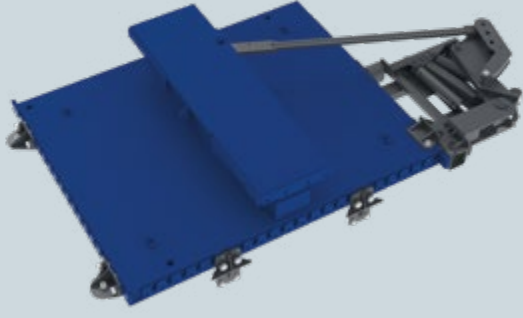
TURNTABLES 220,000 lbs / 440,000 lbs



- + Load capacity per table 220,000 lbs/440,000 lbs <sup>[100t/200t]</sup>
- + Table mounted by ball on the load distribution frame
- + Integrated lift-off protection
- + With/Without sliding shoe
- + Self-tracking device
- + Suitable for combination with single width



TURNTABLES 660,000 lbs / 880,000 lbs / 1,323,000 lbs



- + Load capacity per table 660,000 lbs/880,000 lbs / 1,323,000 lbs <sup>[1]</sup> <sub>[300t/400t/600t]</sub>
- + Table mounted by ball on the load distribution frame
- + With/Without spacer
- + With/Without sliding shoe
- + Self-tracking device <sup>[2]</sup>
- + Suitable for combination with single, one-and-a-half, and double width

<sup>[1]</sup> 1,323,000 lbs <sup>[600t]</sup> turntables for double width combination only  
<sup>[2]</sup> only for 660,000 lbs/880,000 lbs <sup>[300t/400t]</sup>



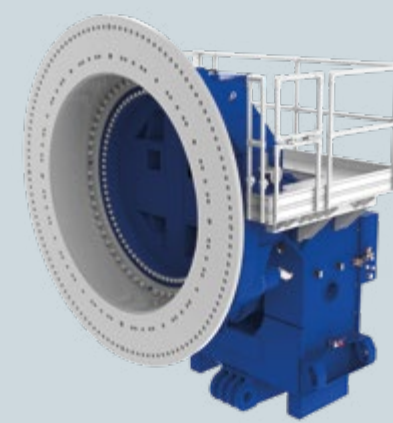
# FTV 550 | FTV 850

## SPECIAL APPLICATIONS

An extremely flexible piece of transport equipment, the FTV 550 and FTV 850 can be built on top of Goldhofer's heavy-duty modular systems, no matter whether the module is pulled or operated as a self-propelled unit with Power-Pack. For transport, the rotor blade is bolted to the FTV adapter, after which it can be freely rotated around its own longitudinal axis and raised up to 60°.



### FTV 550 | FTV 850



» Rotor blades of modern wind turbines can reach a length of 196.9 ft <sup>[60m]</sup> or more. Rotor blade adapters with a diameter of up to 11.2 ft <sup>[3.4m]</sup> are available to meet common blade type requirements.	
FTV 550	
+ Raised maximum angle	60°
+ Pitch angle	endless
+ Maximum rotor blade diameter	11' <sup>[3,400mm]</sup>
+ Dead weight	34,600 lbs <sup>[15.7t]</sup>
+ Ballast weight	39,600 lbs <sup>[18t]</sup>
+ Load moment <sup>[1]</sup>	550mt
FTV 850	
+ Raised maximum angle	60°
+ Pitch angle	endless
+ Maximum rotor blade diameter	12' <sup>[3,700mm]</sup>
+ Dead weight	42,000 lbs <sup>[19t]</sup>
+ Ballast weight	39,600 lbs <sup>[18t]</sup>
+ Load moment <sup>[1]</sup>	850mt

<sup>[1]</sup> Meter-ton (mt) defines the load moment of the FTV.  
 550mt means that the device is able to lift a weight of 1,210,000 lbs <sup>[550t]</sup> in a distance of 3.3ft <sup>[1m]</sup>  
 850mt means that the device is able to lift a weight of 1,870,000 lbs <sup>[850t]</sup> in a distance of 3.3ft <sup>[1m]</sup>

# RA 2 | RA 3 | RA 4

## SPECIAL APPLICATIONS


Our Tower adapters with up to 397,000 lbs<sup>[180t]</sup> payloads are designed for the transport of tower segments. The adapters are either coupled with a free-turning device or directly between our heavy-duty modules. Thanks to the free-turning device (FTD), you can master the tightest turns and overcome obstacles of up to 9' 10" <sup>[3,000mm]</sup> in height.



### YOUR BENEFITS

- ✓ Complete product range
- » Optimized for the whole spectrum of tower segments
- ✓ Combinable with dolly or heavy-duty modules
- » Economical and flexible utilization of existing vehicle fleet
- ✓ Hydraulic sideshift for easier positioning during load positioning
- » User-oriented and time-saving operation
- ✓ Aluminum work platform with access ladder
- » Increased safety in day-to-day action






RA 2

**RA 80**

- + Maximum payload 2x110,000 lbs  
[2x50 t]  
*(depending on combination)*
- + Inner flange (diameter) 6' -17' [1,850-5,170 mm]
- + Outer flange (diameter) 5' 4" -16' [1,620-4,910 mm]
- + Swing clearance radius 11' 6"/13' 9"/16' 5"/21' 4"  
[3,500 mm / 4,200 mm / 5,000 mm / 6,500 mm]  
with FTD
- + Insertable extensions for tower diameter up to  
20' 9" [6,330 mm] (inner flange) / 19' 2" [5,850 mm] (outer flange)

**RA 110**

- + Maximum payload 2x132,000 lbs  
[2x60 t]  
*(depending on combination)*
- + Inner flange (diameter) 9' 3" -18' [2,825-5,465 mm]
- + Outer flange (diameter) 8' 4" -16' [2,560-5,300 mm]
- + Swing clearance radius with FTD 18' 8" - 21' 4"  
[5,700 mm - 6,500 mm]
- + Insertable extensions for tower diameter up to  
22' 3" [6,780 mm] (inner flange) / 20' 8" [6,335 mm] (outer flange)




RA 3

**RA 3**

- + Maximum payload 2x110,000 lbs  
[2x50 t]  
*(depending on combination)*
- + Inner flange (diameter) 7' 10" -17' 9" [2,400-5,400 mm]
- + Outer flange (diameter) 7' 5" -17' 5" [2,260-5,300 mm]
- + Swing clearance radius 13' 9"/16' 1"/18' 8" /21' 4"  
[4,200 mm / 4,900 mm / 5,700 mm / 6,500 mm]  
with FTD
- + Support cylinder for chassis with 1' 11" [600 mm] of stroke

**RA 3**

- » Simple assembly on towed modules guarantees high flexibility for the transport of tower segments and simplifies route planning with FTD.



RA 4

**RA 4**

- + Maximum payload 2x198,000 lbs  
[2x90 t]  
*(depending on combination)*
- + Inner flange (diameter) 9' 10" -19' 4" [3,000-5,900 mm]
- + Outer flange (diameter) 9' 3" -18' 2" [2,820-5,550 mm]
- + Swing clearance radius 24' 7"/28' 2" [7,500 mm / 8,600 mm]
- + Support cylinder for chassis with 1' 11" [600 mm] of stroke

**RA 4**

- » Simple assembly on towed modules guarantees high flexibility for the transport of tower segments and simplifies route planning with FTD.

# »FAKTOR« 5 | »FAKTOR« 5.5 SPECIAL APPLICATIONS

Our range of vehicles covers almost every type of transport. However, some loads require special solutions, such as extremely heavy loads on and off the road. With the »FAKTOR« 5 and »FAKTOR« 5.5 high girder bridges, you can successfully master even these challenges.



»FAKTOR« 5



» The »FAKTOR« 5 high girder bridge, weighing just 220.000 lbs<sup>[100 t]</sup>, combines low loading height and optimal load distribution with a maximum load capacity of an impressive 1,102,000 lbs<sup>[500 t]</sup>.



- + Payload (depending on combination) 1,102,000 lbs<sup>[500 t]</sup>
- + Lift height 5' 11" [1.80 m]
- + Load widths 9' 10"-22' 2" [3.00-6.75 m]
- + Load lengths 36' 1"-55' 9" [11.00-17.00 m]
- + Axle configurations 2x 12 AL up to 2x 20 AL
- + Containerized design



»FAKTOR« 5.5



» With a payload of 771.000 lbs<sup>[350 t]</sup>, the »FAKTOR« 5.5 high girder bridge can take on and transport up to 5.5 times its dead weight.



- + Payload (depending on combination) 771,600 lbs<sup>[350 t]</sup>
- + Lift height 5' 3" [1.60 m]
- + Load widths 6' 7"-19' 8" [2.00-6.00 m]
- + Load lengths 36' 1"-55' 9" [11.00-17.00 m]
- + Axle configurations 2x 10 AL up to 2x 16 AL
- + Containerized design



# POWERPACKS FOR ALL SELF-PROPELLED MODULES

Perfectly matched to your requirements: Our PowerPacks are reliable performers in your self-propelled combination.



## GENERAL ACCESSORIES

CABLE  
REMOTE CONTROL



RADIO  
REMOTE CONTROL  
»ADDRIVE«



CABLE REMOTE  
CONTROL FOR  
EMERGENCY OPERATION



+ Hydronic/»ADDRONIC«

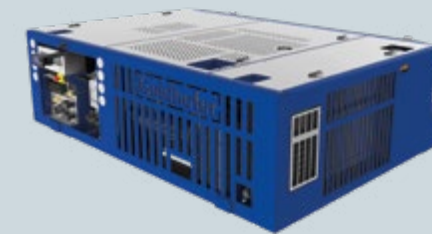
RADIO  
REMOTE CONTROL



DRIVER'S SEAT



## POWERPACK »ADDRIVE«



PP 280 ADD

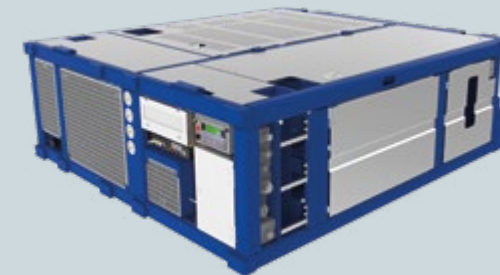
- + Optional support wheels/rain cover
- + 207 kW/280 PS
- + Width 9' 10" [3,000mm]
- + Cummins (TIER 4 FINAL)



PP 530 ADD 2.0

- + Optional support wheels/rain cover
- + 390 kW/530 PS
- + Width 9' 10" [3,000mm]
- + Cummins (TIER 4 FINAL)

## POWERPACK



PP 280

- + Optional support wheels/rain cover
- + 207 kW/280 PS
- + Width 7' 10" [2,400mm]
- + Cummins (TIER 4 FINAL)



PP 530

- + Optional support wheels/rain cover
- + 390 kW/530 PS
- + Width 9' 10" [3,000mm]
- + Deutz (TIER 4 FINAL)

# ACCESSORIES FOR HEAVY-DUTY MODULES



## TOWING EQUIPMENT

- p. 04 + Steering swivel arms THP/CA | THP/DR | THP/DC
- p. 05 + Drawbar
- p. 05 + Steering swivel arm for single widths
- p. 05 + Center pulling device for parallel combination (1+1/2)
- p. 05 + Center pulling device for parallel combination (1+1)
- p. 06 + Gooseneck THP/DC | THP/DR
- p. 07 + Universal gooseneck
- p. 07 + Gooseneck THP/CA

## GENERAL ACCESSORIES

- p. 08 + Kohler diesel hydraulic power pack
- p. 08 + Kohler gasoline hydraulic power pack
- p. 08 + THP/DC diesel hydraulic power pack
- p. 09 + Control panels
- p. 09 + Trailer brake valve
- p. 09 + Cable/Radio remote control and »SmartControl«
- p. 09 + Export lights
- p. 09 + Rear lighting bumper
- p. 09 + Push coupling
- p. 09 + Loading area mounting plate for power packs
- p. 09 + Push rod
- p. 09 + Control panel for self-tracking device
- p. 22 + Cable remote control/Cable remote control for emergency operation
- p. 22 + Radio remote control/Radio remote control for »ADDRIIVE«
- p. 22 + Drivers seat

## LOADING EQUIPMENT

- p. 10 + Drop decks
- p. 11 + Vessel bridges
- p. 12 + Intermediate spacers
- p. 13 + Excavator decks
- p. 13 + Spacer

## TURNTABLES

- p. 15 + 220,000 lbs/440,000 lbs <sup>[100t/200t]</sup>
- p. 15 + 661,000 lbs/880,000 lbs/1,323,000 lbs <sup>[300t/400t/600t]</sup>

## SPECIAL APPLICATIONS

- p. 17 + FTV 550 | FTV 850
- p. 19 + RA 2 | RA 3 | RA 4
- p. 20 + »FAKTOR« 5 | »FAKTOR« 5.5

## POWERPACKS

- p. 23 + PP 280 ADD
- p. 23 + PP 530 ADD 2.0
- p. 23 + PP 280
- p. 23 + PP 530

### GOLDHOFER INC.

7401 Riviera Boulevard, Miramar, FL 33023, USA  
 Telephone: +1 954 433 5617, Fax: +1 954 433 5445  
 Web: www.flitelineusa.com, E-Mail: info.usa@goldhofer.com

### SALES

Telephone: +1 954-433-5617  
 E-Mail: info.usa@goldhofer.com

### GOLDHOFER AKTIENGESELLSCHAFT

Donaustrasse 95, 87700 Memmingen/Germany  
 Telephone: +49 8331 15-0, Fax: +49 8331 15-239  
 Web: www.goldhofer.com, E-Mail: info@goldhofer.com

### SERVICES AND SPARE PARTS

Telephone: +1 954-433-5617  
 E-Mail: parts.usa@goldhofer.com

**MADE FOR YOUR MISSION**