

»BISON« E 370 TECHNICAL DATA



UNDER REALISTIC CONDITIONS AT THE AIRPORT:

With an aircraft tow tractor optional 4-wheel-drive and equal weight distribution on both axles, on wet concrete (friction coefficient $\mu=0.57$), 1% apron inclination, and aircraft engines running during pushback.

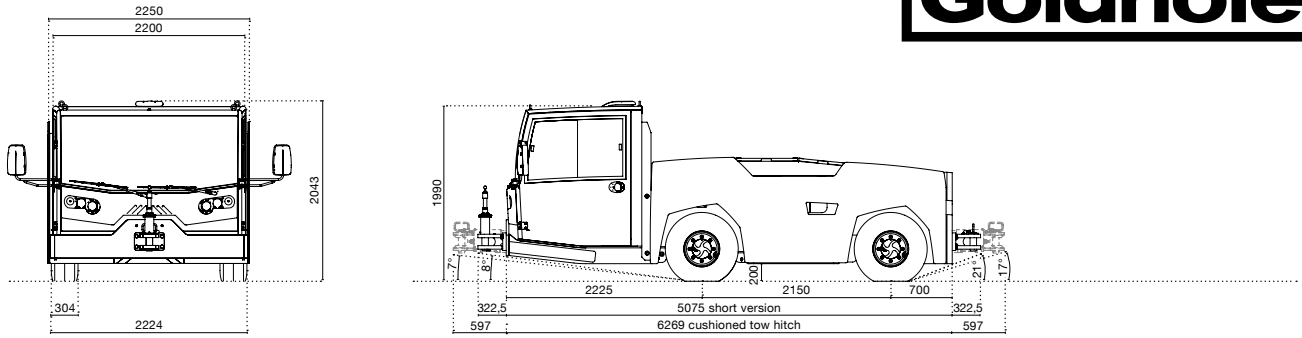
In case of different requirements please contact us for new calculations based on your specific operation conditions.

OPERATION WEIGHTS	+ 11t 12t 14t 15t max.
MTOW	+ 150t
DRAWBAR PULL INSTALLED	+ 105 kN



FIND OUT MORE
»BISON« FAMILY

MADE FOR YOUR MISSION



430 Nm | 75 kW



400 V LITHIUM-ION BATTERY

Maximum installed Battery capacity 70 kWh | 105 kWh | 140 kWh
Integrated charging system DC 70kW



TURNING RADIUS

+ 4,548 mm

TRANSMISSION

+ 3 gears forward/3 reverse
+ Draw bar pull limiter dependent on selected aircraft type
+ ZF automatic full-power-shift transmission with integrated torque converter, manual and automatic gear-shifting mode

AXLES

+ Driven steering axles with planetary drives in the wheel hubs
+ Front and rear axles driven by full-power-shift transmission through joint shafts

STEERING SYSTEM

+ Standard front-wheel steering with rigid rear axle
+ Comfort steering (front-wheel, 4-wheel and crab steering, optional)
+ Emergency steering pump

TIRES

+ Front and rear 245/70R 17.5

BRAKES

+ Fully hydraulic 2-circuit safety internal brake system
+ 1-circuit failsafe parking brake
+ Emergency parking-brake release by electrical emergency pump

HYDRAULIC SYSTEM

+ Brakes and steering system

CABIN

CABLESS + Full-width, all-steel front cabin
BASIC CABIN + Comfortable driver's and passenger's seat with safety belts (third seat optional)
+ Adjustable steering column
+ Interior lights

OPEN CAB + Wiper-washer system for front
OPTION + Rear-view mirrors (1 inside, 2 outside)
+ Front tow-hitch mirror

CLOSED CAB + Lockable doors with sliding windows
OPTION + Cabin/windscreen ventilation and heating
+ Heated rear window with screen wiper



OPTIONS EXAMPLES

+ Cushioned tow hitch
+ Fully airconditioning system
+ Second passenger seat
+ Electrically adjustable and heated rearview mirror
+ 22 kW AC charging system
+ Rear-view camera
+ Central lubrication system
+ Remote control
+ And many more

GOLDHOFER AKTIENGESELLSCHAFT

Donaustrasse 95, 87700 Memmingen/Germany
Web: www.goldhofer.com, E-Mail: info@goldhofer.com

SALES

Telephone: +49 8331 15-343,
E-Mail: sales-airporttechnology@goldhofer.com

SERVICE AND SPARE PARTS

Telephone: +49 8331 962 99 99, Fax: +49 8331 15-247
E-Mail: service-airporttechnology@goldhofer.com

MADE FOR YOUR MISSION