

»BISON« D 1500 TECHNICAL DATA

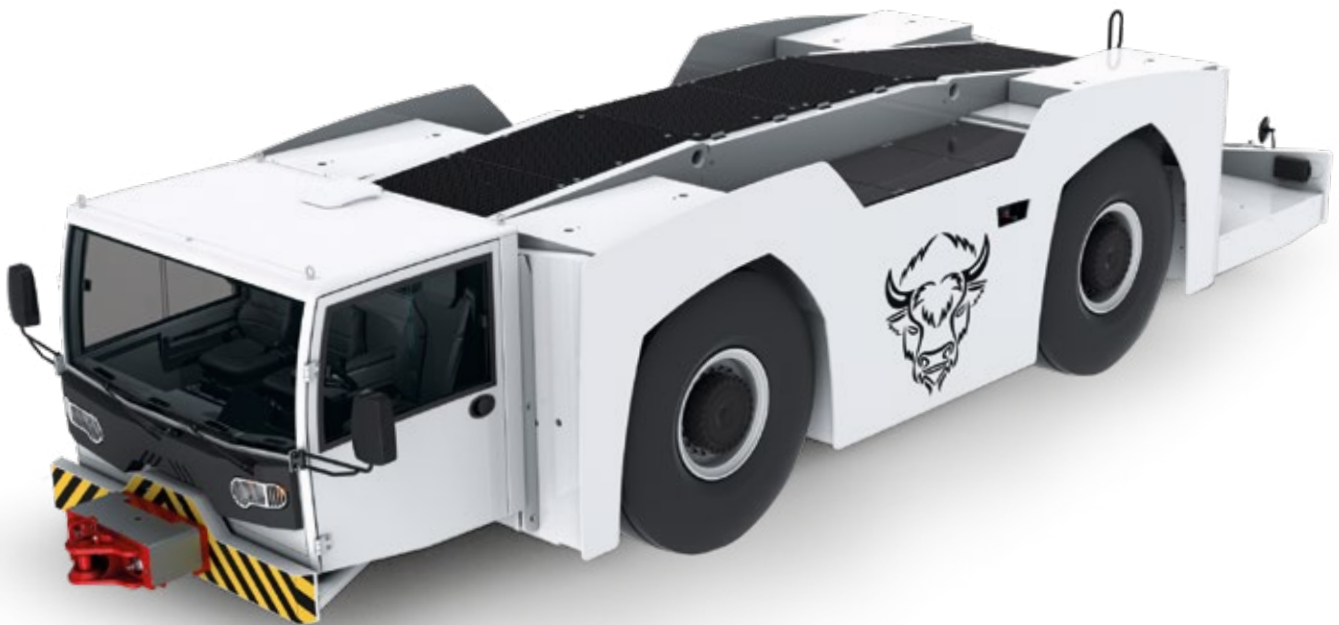


UNDER REALISTIC CONDITIONS AT THE AIRPORT:

With an aircraft tow tractor including 4-wheel-drive and equal weight distribution on both axles, on wet concrete (friction coefficient $\mu=0.57$), 1% apron inclination, and aircraft engines running during pushback.

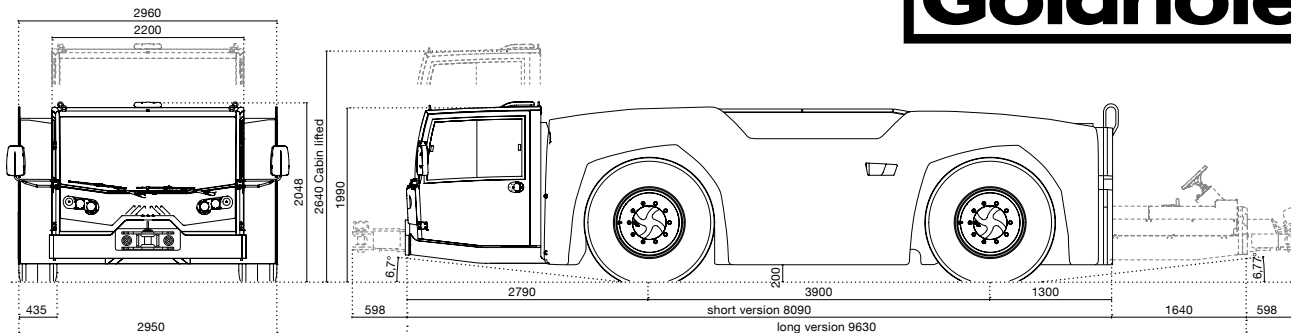
In case of different requirements please contact us for new calculations based on your specific operation conditions.

| | |
|-------------------------------|--|
| OPERATION WEIGHTS | + 50t 52t 55t 60t 65t 70t max. |
| MTOW | + 600t |
| DRAWBAR PULL INSTALLED | + 490 kN |



FIND OUT MORE
»BISON« FAMILY

MADE FOR YOUR MISSION



| | | | |
|--|--|---|--|
| | ENGINE | + CUMMINS X12, 298 kW at 2,100 rpm | + EU Stage V |
| | | + Fuel tank capacity max. 200 l | + US EPA Tier 4 |
| | TURNING RADIUS | + 7,140 mm | + * 7,500 mm long version |
| | | TRANSMISSION | + 6 gears forward/3 reverse |
| | AXLES | + Driven steering axles with planetary drives in the wheel hubs | + Front and rear axles driven by full-power-shift transmission through joint shafts |
| | STEERING SYSTEM | + Standard 4-wheel steering + Front-wheel and crab steering (optional) | + Emergency steering pump |
| | TIRES | + 50-55 t: Front + rear 16.00x25 | + 60-70 t: Front + rear 18.00x25 |
| | BRAKES | + Fully hydraulic 3-circuit safety brakes + 2-circuit service brake + 1-circuit failsafe parking brake | + Emergency parking-brake release by electrical emergency pump + Brake pad wear indicator |
| | HYDRAULIC SYSTEM | + Brakes and steering system | + Cabin-lift and jacks |
| | ELECTRIC SYSTEM | + Alternator 28 V/110 A + Battery capacity 2x12 V/225 Ah | + Engine starter 7.5 kW |
| | CABIN | CABLESS | + Full-width elevating, all-steel front cabin |
| | | BASIC CABIN | + Comfortable driver's and passenger's seat with safety belts (third seat optional) + Adjustable steering column + Interior lights |
| | | OPEN CAB OPTION | + Wiper-washer system for front + Rear-view mirrors (1 inside, 2 outside) + Front tow-hitch mirror |
| | CLOSED CAB OPTION | + Lockable doors with sliding windows + Cabin/windscreen ventilation and heating + Heated rear window with screen wiper | |
| | OPTIONS EXAMPLES | + Cushioned tow hitch | + Rear-view camera |
| | | + Fully airconditioning system | + Auxiliary heater Webasto with timer |
| | + Second passenger seat | + Central lubrication system | |
| | + Electrically adjustable and heated rearview mirror | + Remote Control | |
| | | | + 4 integrated hydraulic jacks |

GOLDHOFER AIRPORT TECHNOLOGY

Location: Donaustrasse 95, 87700 Memmingen/Germany
 Location: Parkstrasse 19-21, 73760 Ostfildern/Germany
 Web: www.goldhofer.com, E-Mail: info@goldhofer.com

SALES

Telephone: +49 8331 15-343,
 E-Mail: sales-airporttechnology@goldhofer.com

SERVICE AND SPARE PARTS

Telephone: +49 8331 962 99 99, Fax: +49 8331 15-247
 E-Mail: service-airporttechnology@goldhofer.com

MADE FOR YOUR MISSION