

## »BISON« D 370 TECHNICAL DATA



### UNDER REALISTIC CONDITIONS AT THE AIRPORT:

With an aircraft tow tractor including 4-wheel-drive and equal weight distribution on both axles, on wet concrete (friction coefficient  $\mu=0.57$ ), 1% apron inclination, and aircraft engines running during pushback.

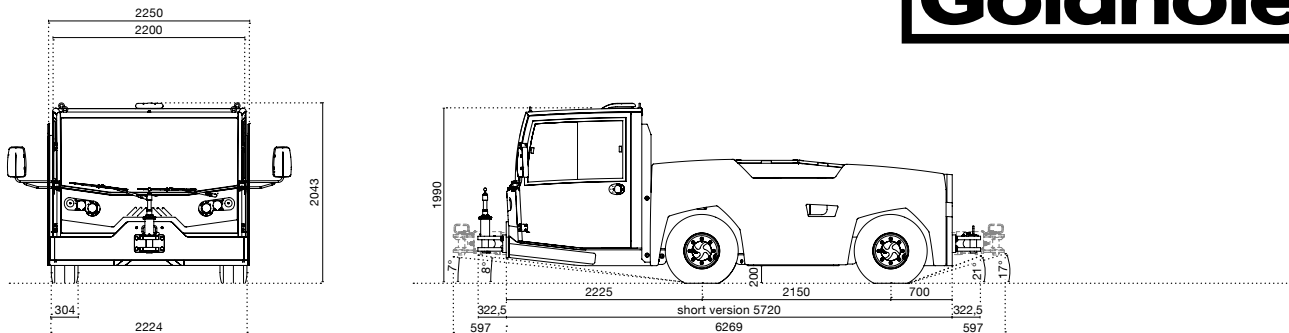
In case of different requirements please contact us for new calculations based on your specific operation conditions.




<b>OPERATION WEIGHTS</b>	+ 9t   10t   11t   12t   14t   16.8t max.
<b>MTOW</b>	+ 125 t
<b>DRAWBAR PULL INSTALLED</b>	+ 105 kN



**FIND OUT MORE**  
»BISON« FAMILY

**MADE FOR YOUR MISSION**



	<b>DEUTZ ENGINE</b>	+ DEUTZ TCD 3.6 L4 74.4 kW at 2,300rpm	+ EU Stage IIIA, IV or V
		+ Fuel tank capacity max. 135l	+ US EPA Tier 4
	<b>TURNING RADIUS</b>	+ 4,548 mm	
	<b>TRANSMISSION</b>	+ 3 gears forward/3 reverse	+ ZF automatic full-power-shift transmission with integrated torque converter, manual and automatic gear-shifting mode
		+ Draw bar pull limiter dependent on selected aircraft type	
	<b>AXLES</b>	+ Driven steering axles with planetary drives in the wheel hubs	+ Front and rear axles driven by full-power-shift transmission through joint shafts
	<b>STEERING SYSTEM</b>	+ Standard 4-wheel steering	+ Emergency steering pump
		+ Front-wheel and crab steering (optional)	
	<b>TIRES</b>	+ Front + rear 245/70R 17.5	
	<b>BRAKES</b>	+ Fully hydraulic 3-circuit safety internal brake system	+ 1-circuit failsafe parking brake
		+ 2-circuit service brake	+ Emergency parking-brake release by electrical emergency pump
	<b>HYDRAULIC SYSTEM</b>	+ Brakes and steering system	
	<b>ELECTRIC SYSTEM</b>	+ Alternator 28 V/100 A	+ Engine starter 4 kW
		+ Battery capacity 2x12 V/88 Ah	
	<b>CABIN</b>	CABLESS + Full-width, all-steel front cabin	
		BASIC CABIN + Comfortable driver's and passenger's seat with safety belts (third seat optional)	
		+ Adjustable steering column	
		+ Interior lights	
		OPEN CAB + Wiper-washer system for front	
		OPTION + Rear-view mirrors (1 inside, 2 outside)	
		+ Front tow-hitch mirror	
		CLOSED CAB + Lockable doors with sliding windows	
		OPTION + Cabin/windscreen ventilation and heating	
		+ Heated rear window with screen wiper	
	<b>OPTIONS</b>	+ Cushioned tow hitch	+ Rear-view camera
	<b>EXAMPLES</b>	+ Fully airconditioning system	+ Auxiliary heater Webasto with timer
		+ Second passenger seat	+ Central lubrication system
		+ Electrically adjustable and heated rearview mirror	+ Remote control

## GOLDHOFER AIRPORT TECHNOLOGY

Location: Donaustrasse 95, 87700 Memmingen/Germany  
 Location: Parkstrasse 19-21, 73760 Ostfildern/Germany  
 Web: www.goldhofer.com, E-Mail: info@goldhofer.com

## SALES

Telephone: +49 8331 15-343,  
 E-Mail: sales-airporttechnology@goldhofer.com

## SERVICE AND SPARE PARTS

Telephone: +49 8331 962 99 99, Fax: +49 8331 15-247  
 E-Mail: service-airporttechnology@goldhofer.com

**MADE FOR YOUR MISSION**